

STRIDA®

a whole new way to move



www.strida.com

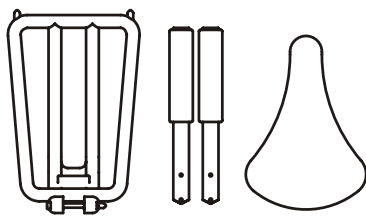
owners manual

please visit www.strida.com for comprehensive owners information, faq's, upgrade and service advice and secure online sales.

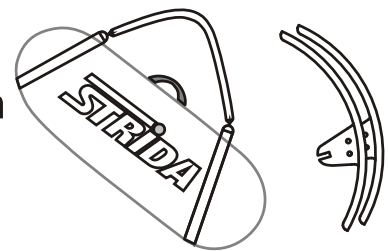
  www.strida.com

  www.strida.com

faq  www.strida.com



www.strida.com

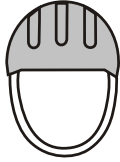


This owners manual is based on 5.0

★ = Mini

disclaimer: UNDER NO CIRCUMSTANCES, INCLUDING, BUT NOT LIMITED TO, NEGLIGENCE, SHALL STRIDA DISTRIBUTOR BE LIABLE FOR ANY SPECIAL OR CONSEQUENTIAL DAMAGES THAT RESULT FROM THE USE OF, OR THE INABILITY TO USE, THE MATERIALS IN THIS MANUAL, EVEN IF BLI HAS BEEN ADVISED OF THE POSSIBILITY OF SUCH DAMAGES. APPLICABLE LAW MAY NOT ALLOW THE LIMITATION OR EXCLUSION OF LIABILITY OR INCIDENTAL OR CONSEQUENTIAL DAMAGES, SO THE ABOVE LIMITATION OR EXCLUSION MAY NOT APPLY TO YOU.

safety



always wear a helmet!



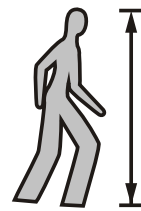
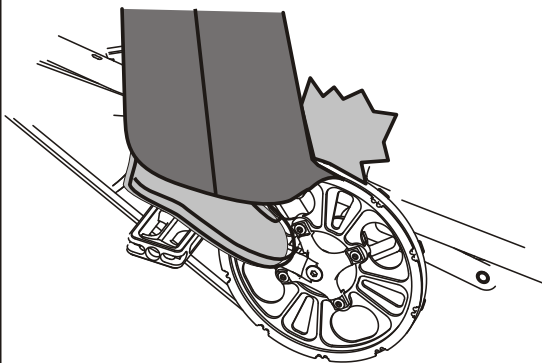
use lights at night!



100kg
220lbs
maximum rider
weight: 100kg/220lbs
⊗ Mini : 80kg/176lbs



danger
no loose clothing



height



strida: 5.0, ⊗ Mini

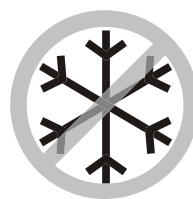
| height | model | 5.0 | ⊗ Mini |
|---------------|-------|---------------|--------------|
| minimum rider | | 4' 9" / 1.45m | 4' 6" / 1.4m |
| maximum rider | | 6' 4" / 1.93m | 5' 3" / 1.6m |



minimum:
-20°C (-4°F)



no stunt riding !



no ice riding !



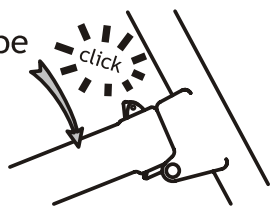
no wheelies !



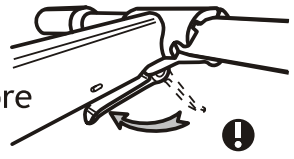
pre-ride safety



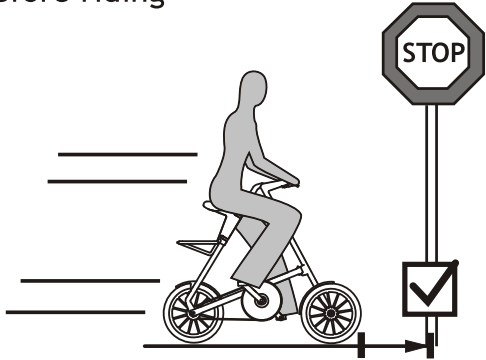
ensure bottom tube is locked (page 5)



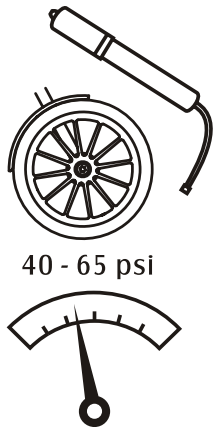
ensure handlebar lever is closed against tube before riding (page 5)



check the brakes before riding

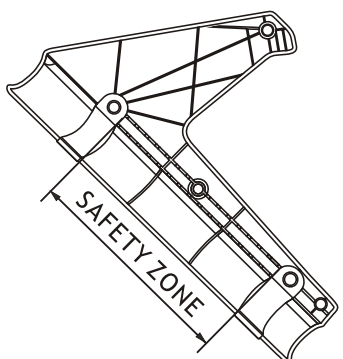



check tyre treads & inflation



40 - 65 psi

Mini : 30 - 40 psi

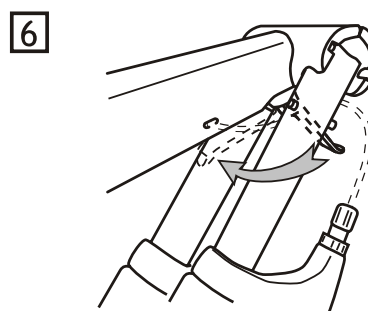
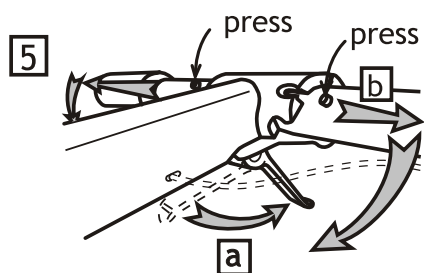
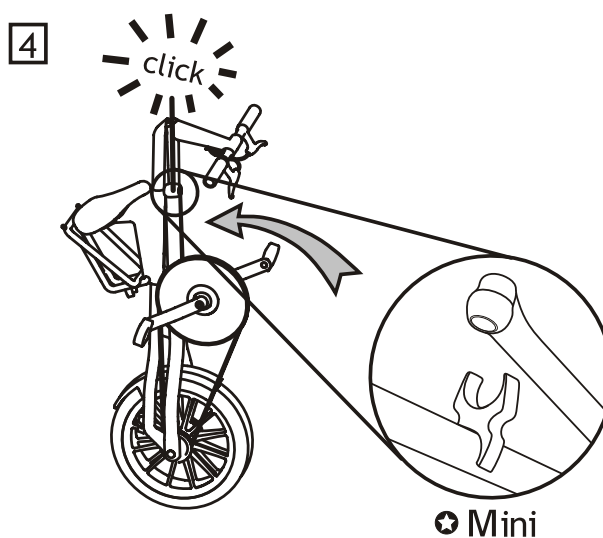
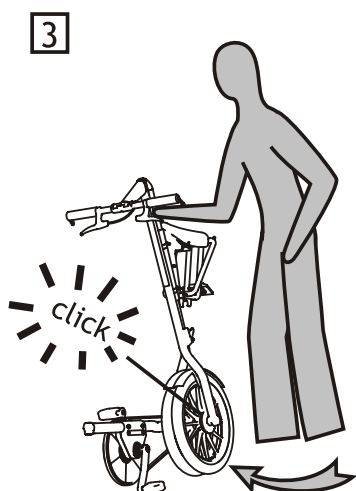
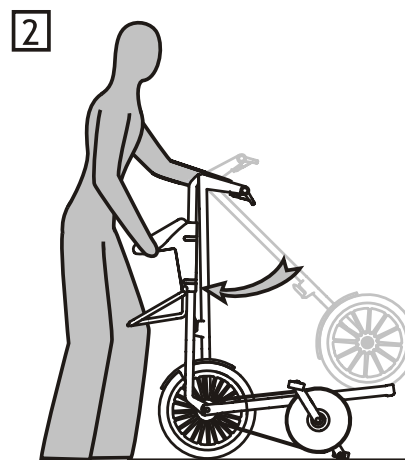
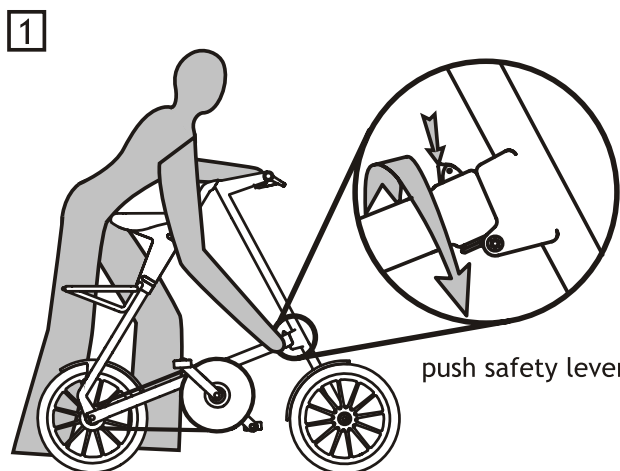


 Be sure pin is between the safety zone

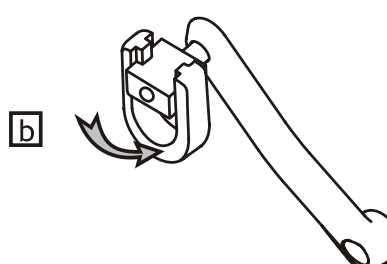
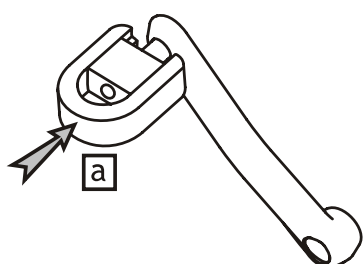
ensure all bolts and fastenings are correctly tightened (page 14 & 17)

caution: wet weather increases stopping distance

folding a strida



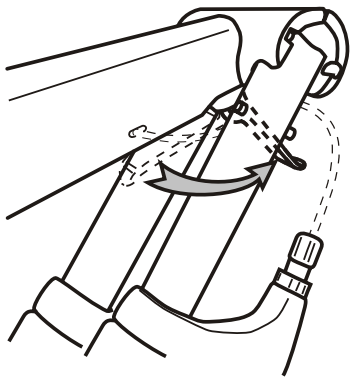
Folding



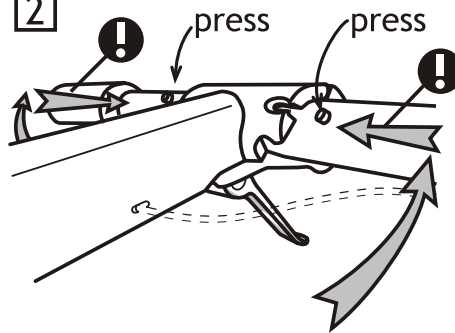
unfolding a strida

STRIDA

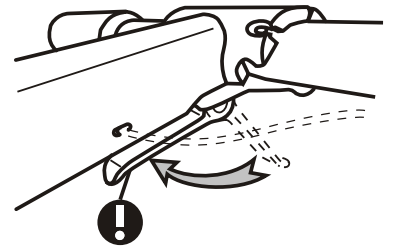
1



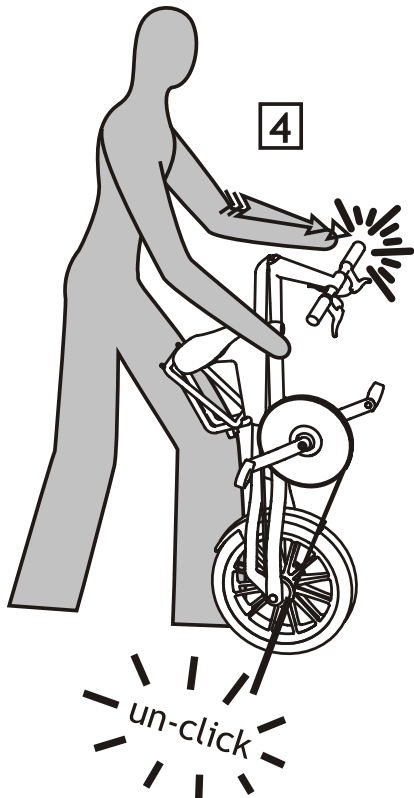
2



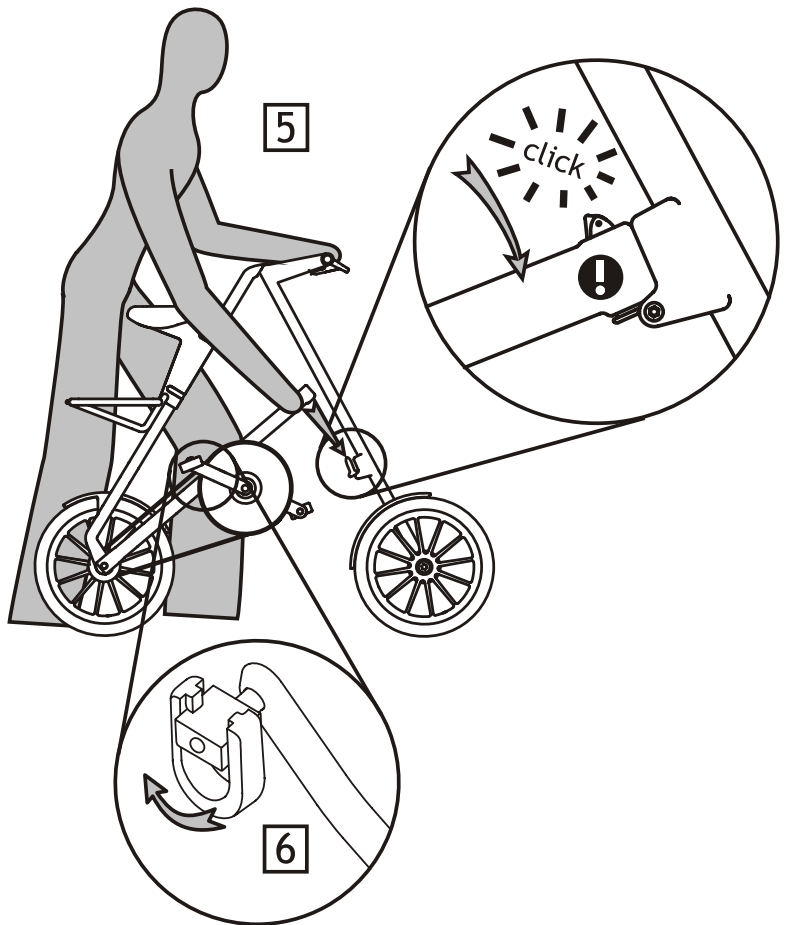
3



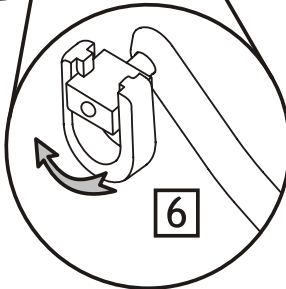
4



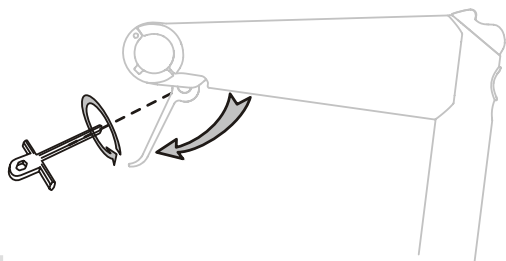
5



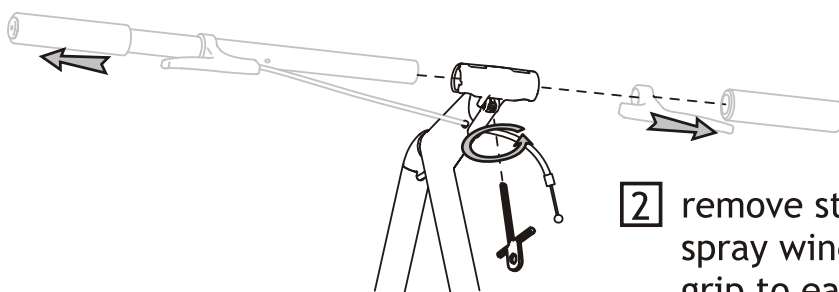
6



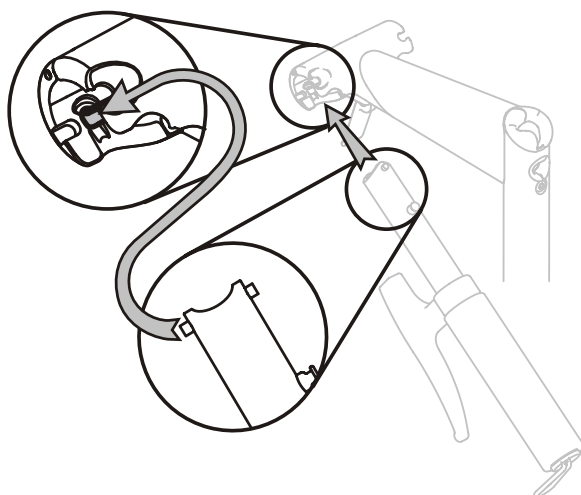
install folding handlebars



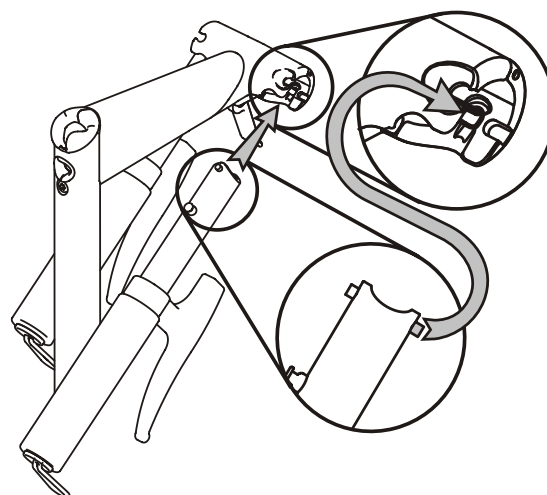
- 1** open lever and loosen stem screw as far as possible (do not remove)



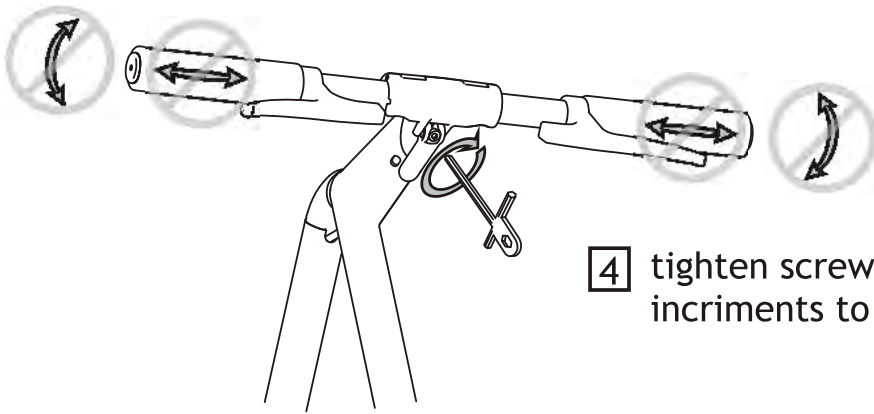
- 2** remove straight handlebars (if fitted). spray window cleaner (NEVER oil) into grip to ease removal



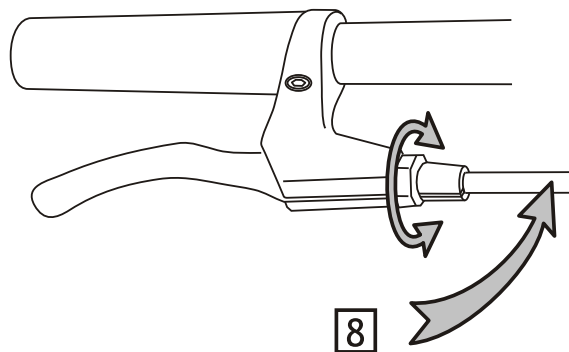
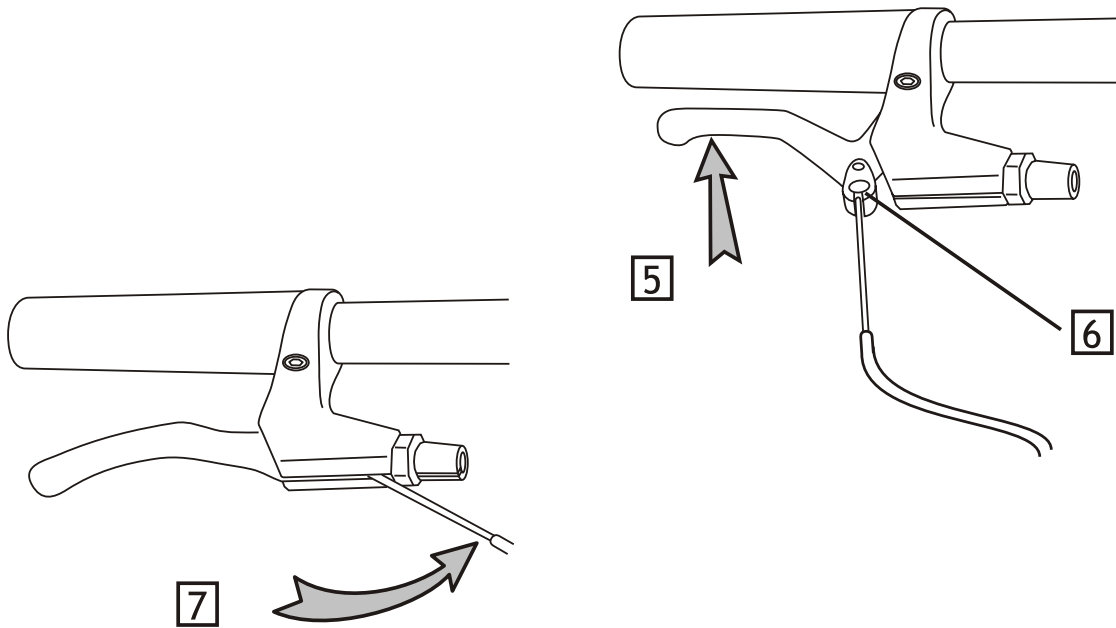
- 3** fit handlebars into stem



install brake cables

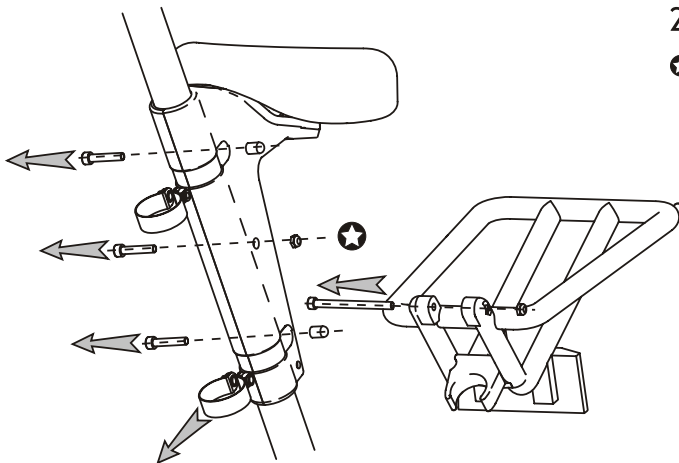


4 tighten screw. adjust in 1/4 turn increments to stop handlebars wiggling



install & adjust seat

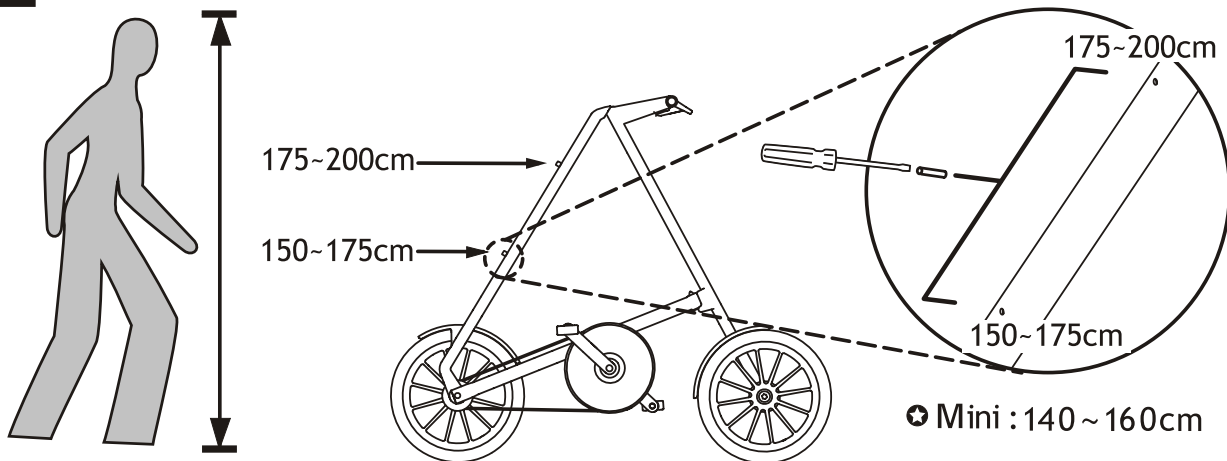
1



if already fitted, remove 4 bolts,
2 clips and the rack

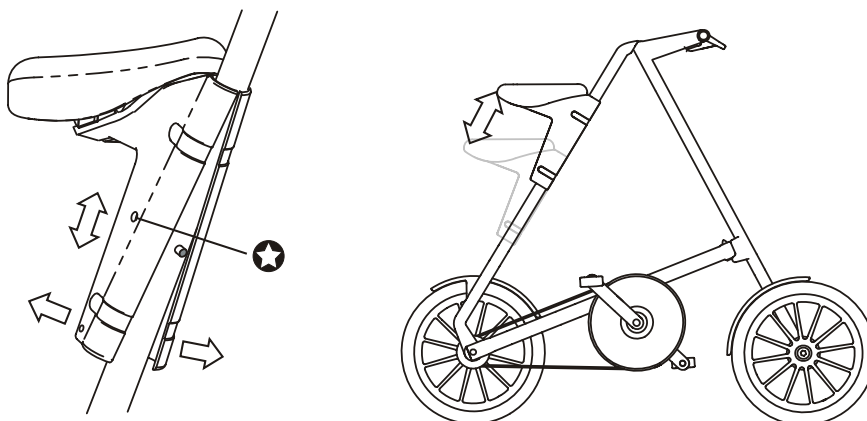
★ Mini : Not on Strida Mini Model

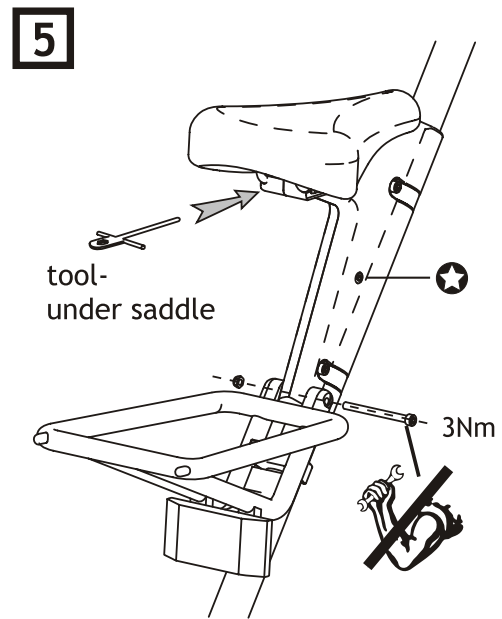
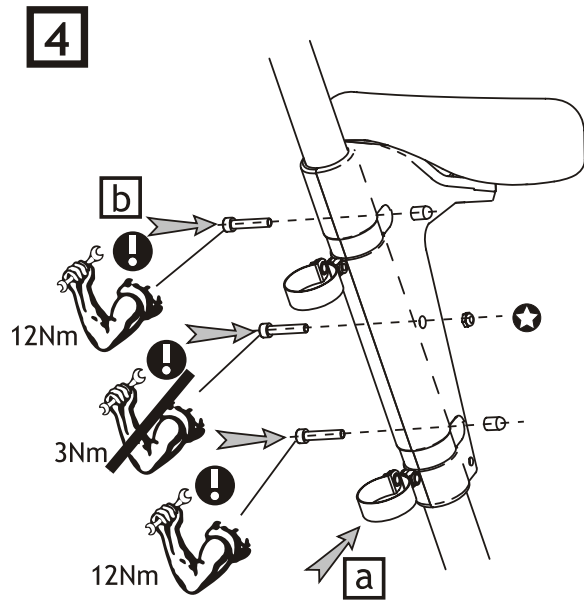
2



★ Mini : 140 ~ 160cm

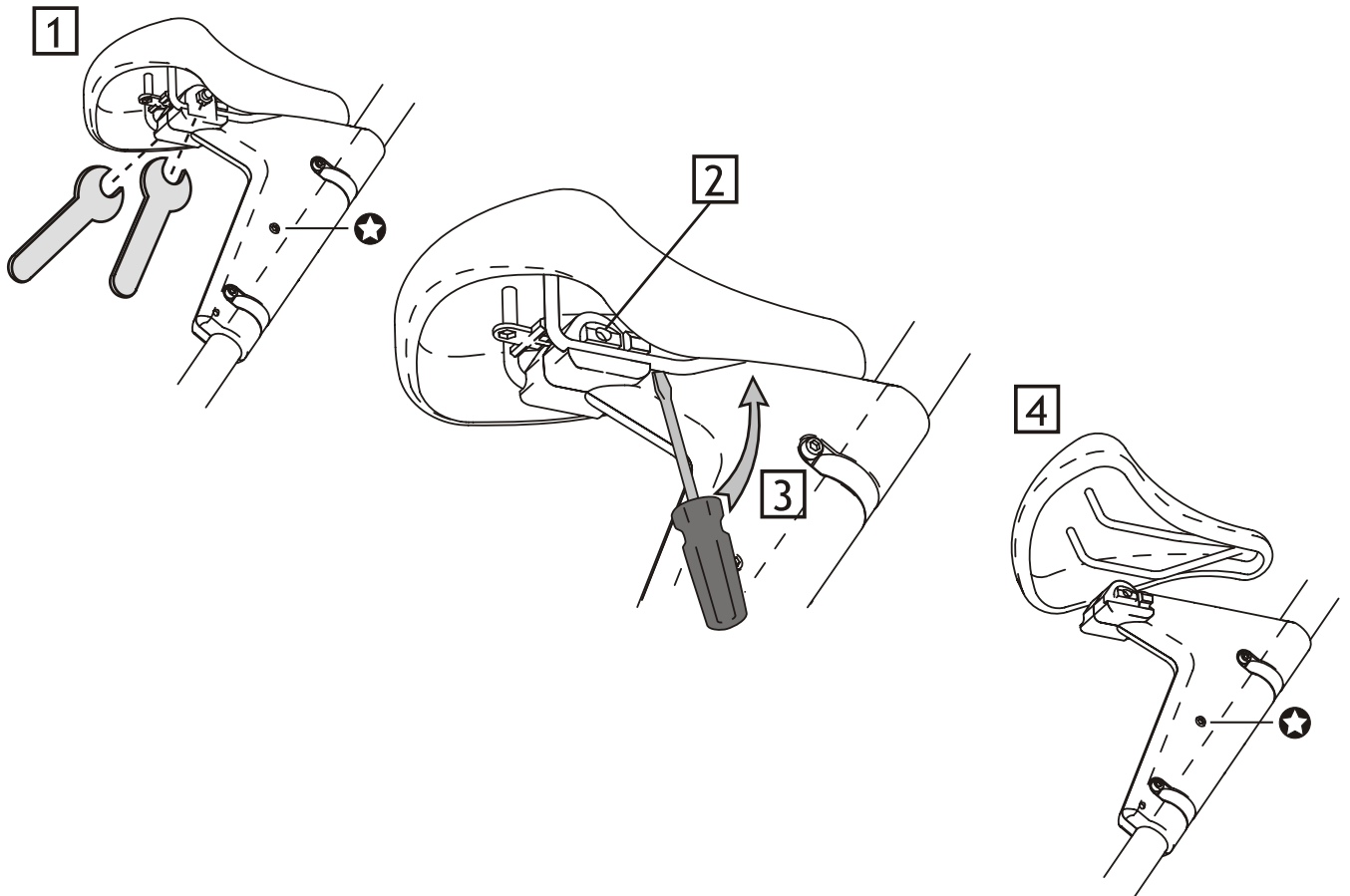
3



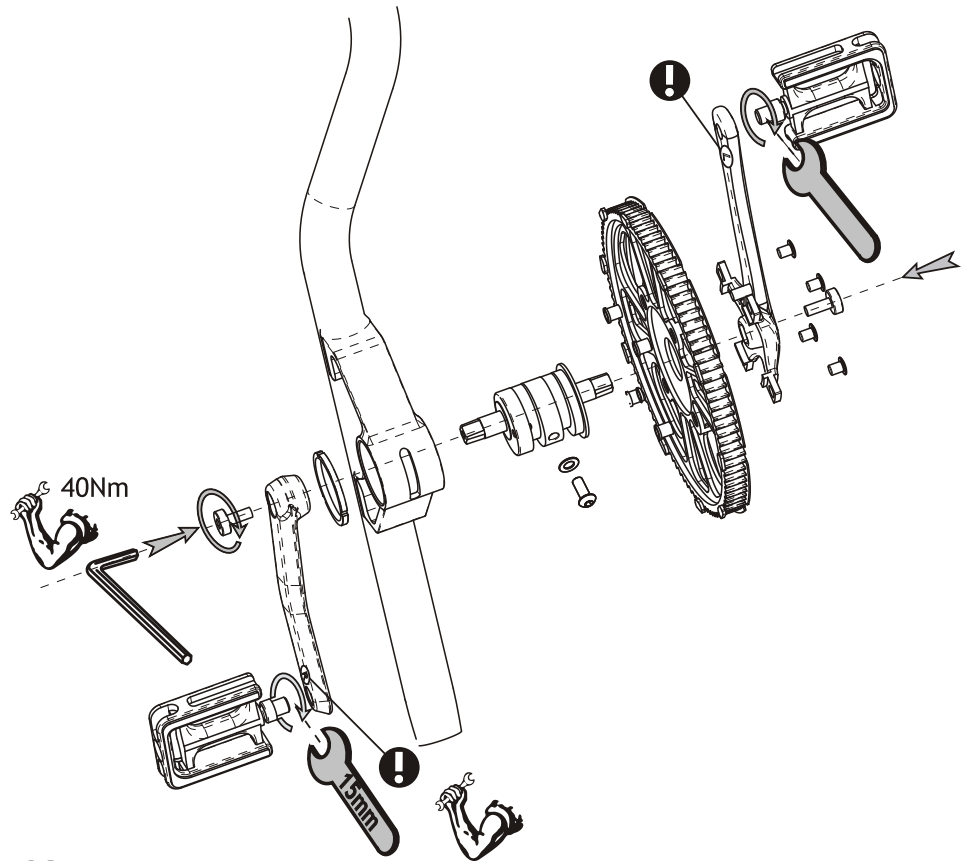


★ Mini : Not on Strida Mini Model

to remove saddle

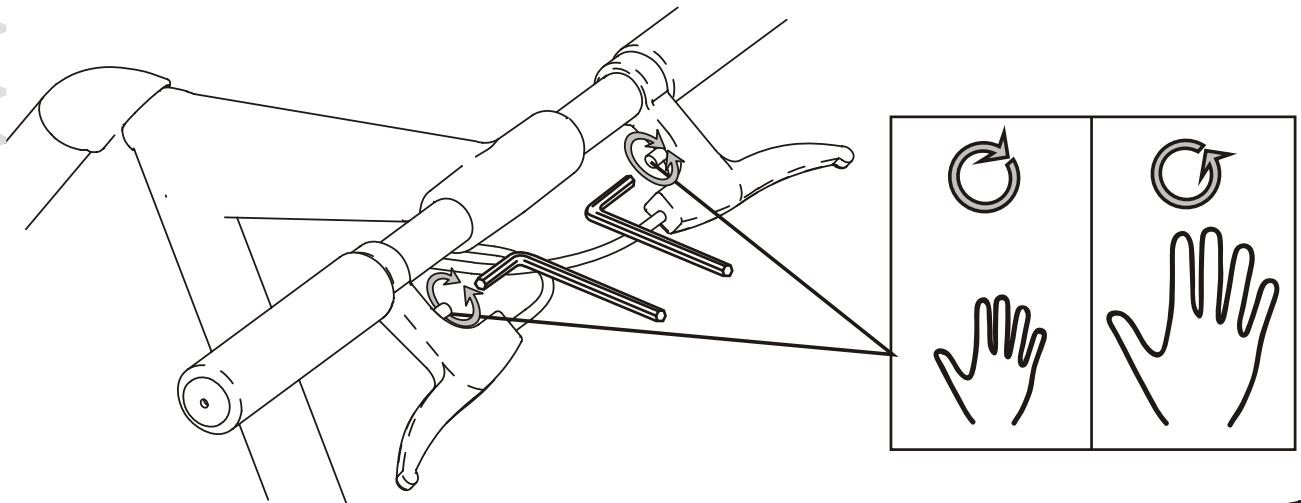


crank installation

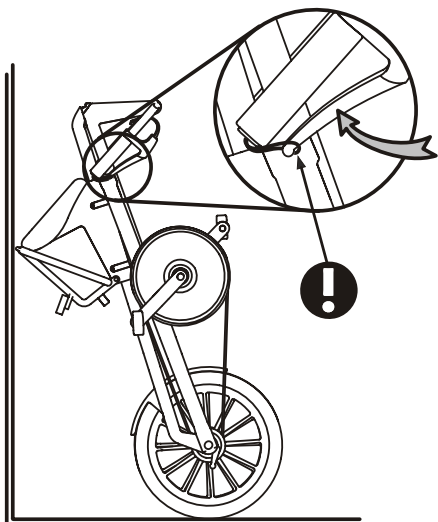


brake levers

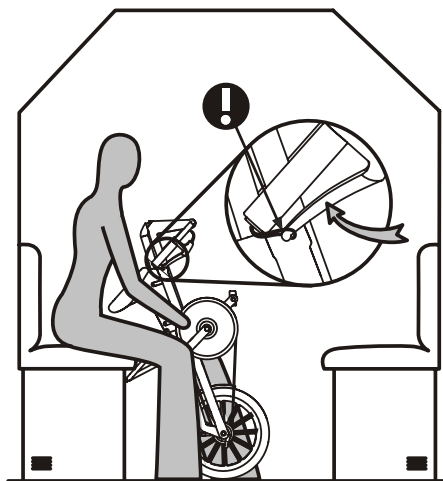
small hands - tighten screws to move brake levers closer to handlebars



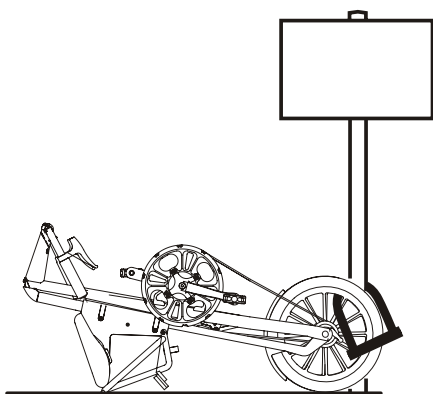
tips and tricks



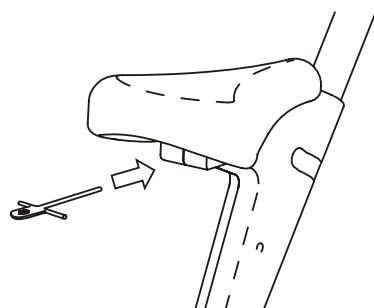
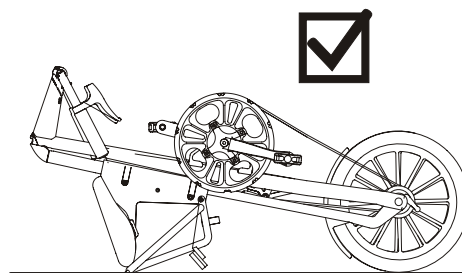
to store upright



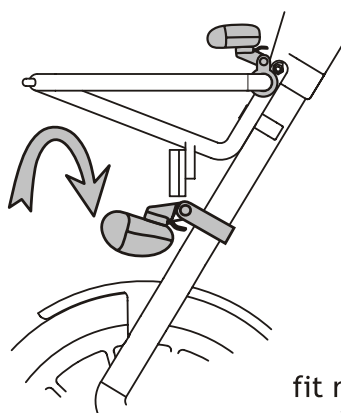
subway/train



secure parking



tool-
under saddle

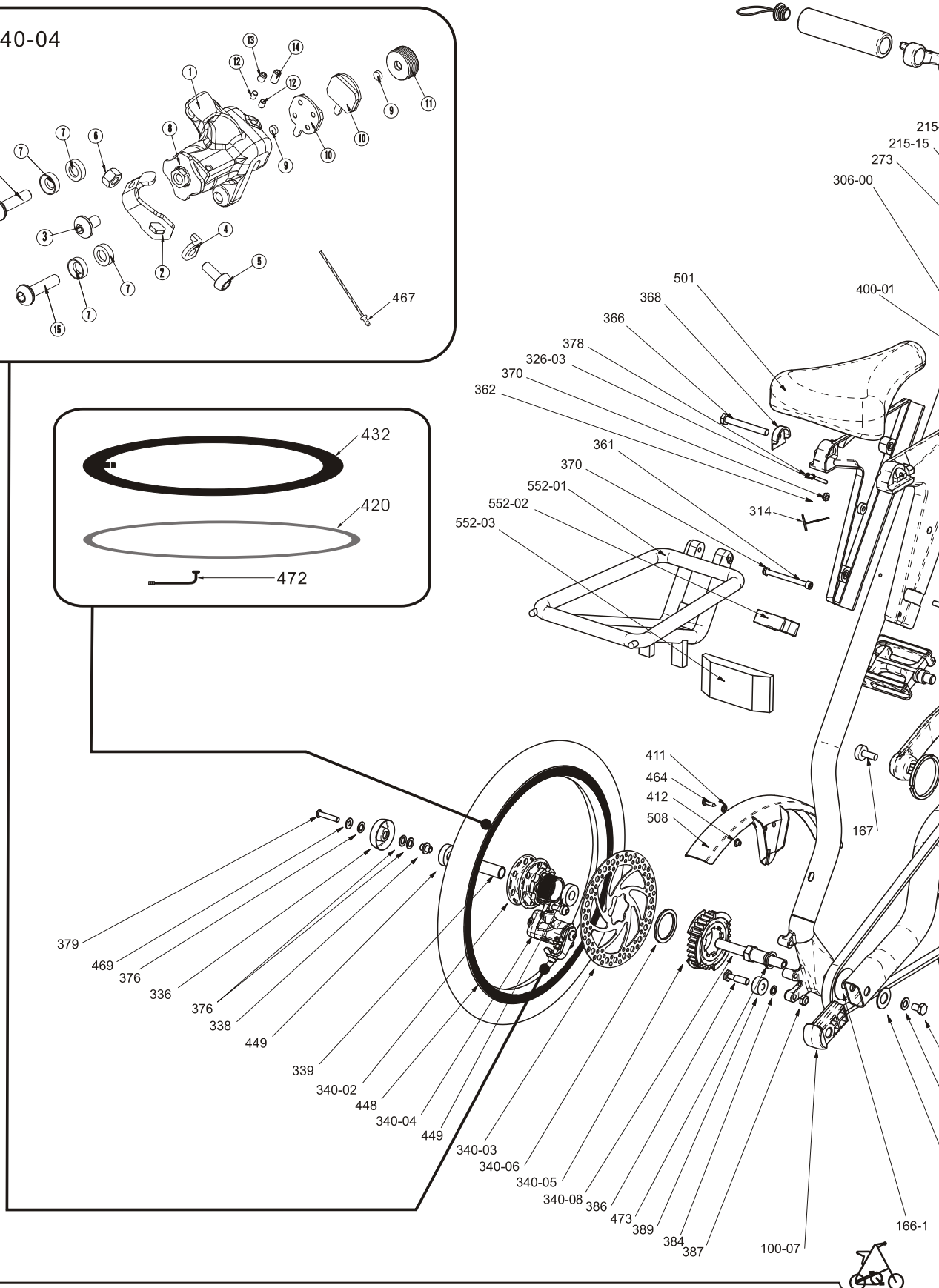
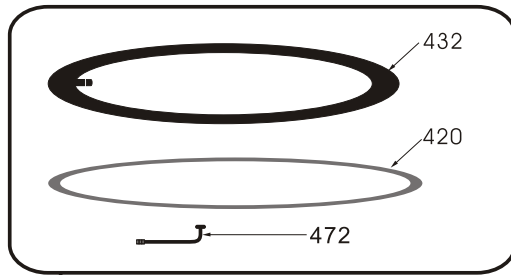
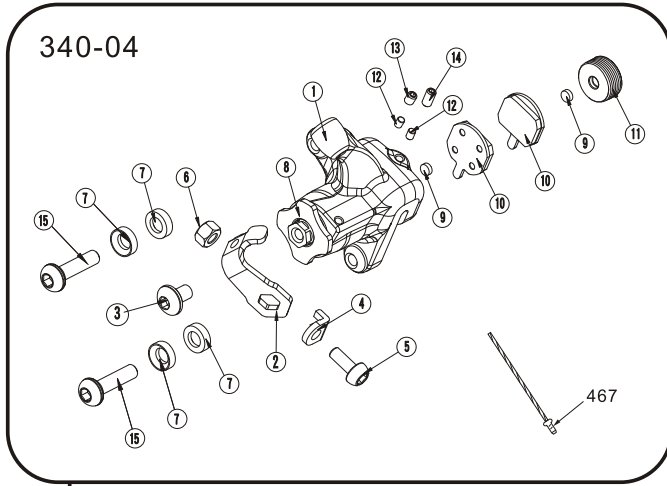


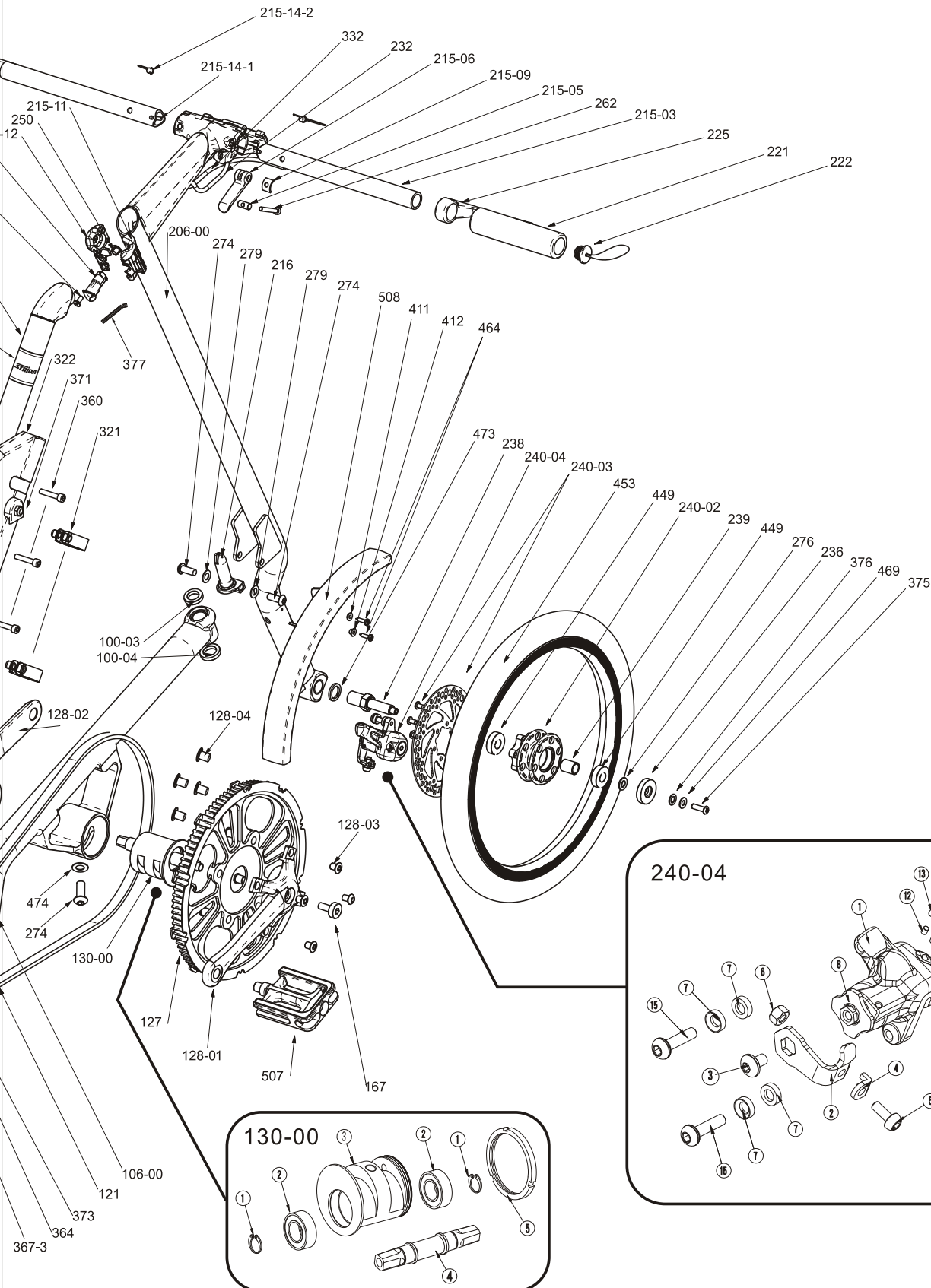
additional mounting
for small LED lights

fit rear light upside down
available from www.strida.com

exploded drawing 5.0

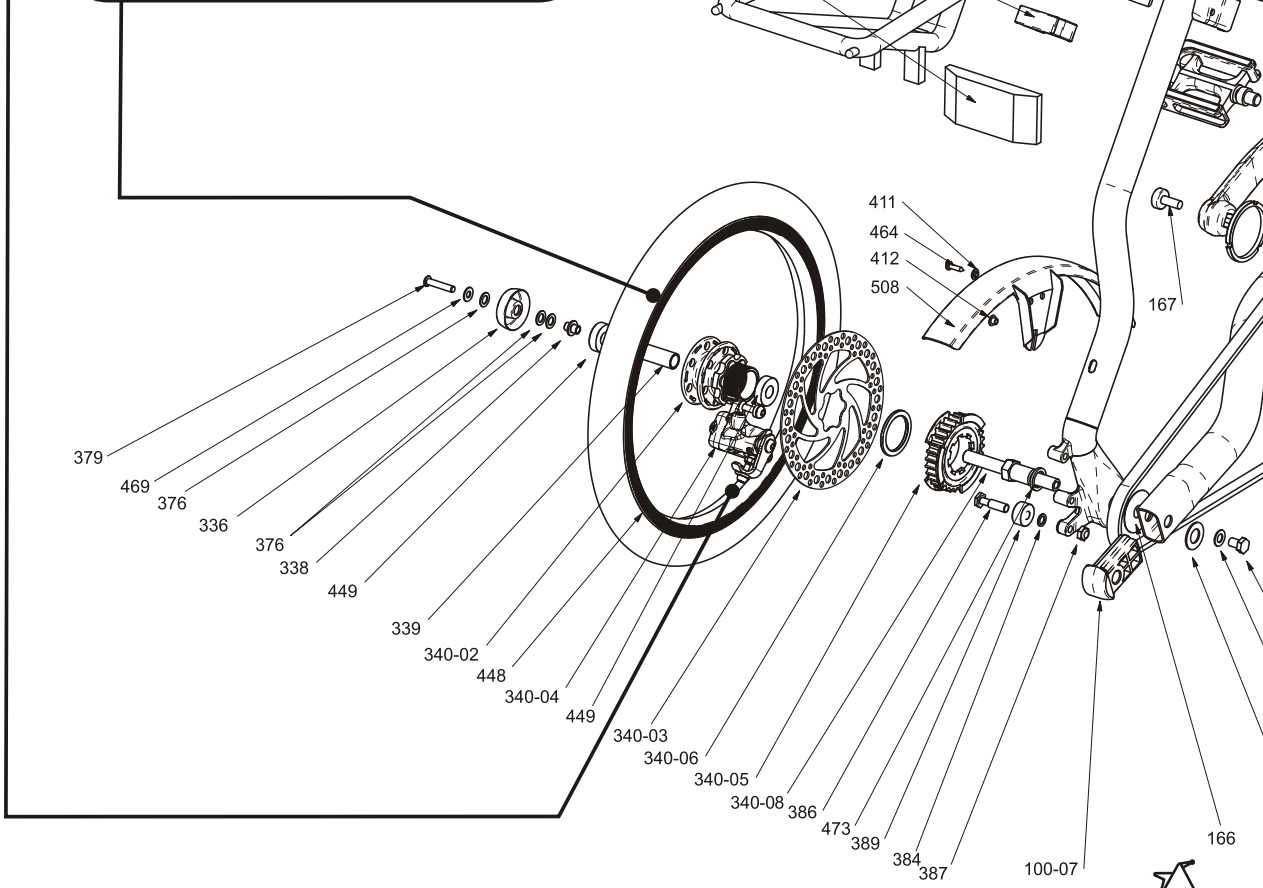
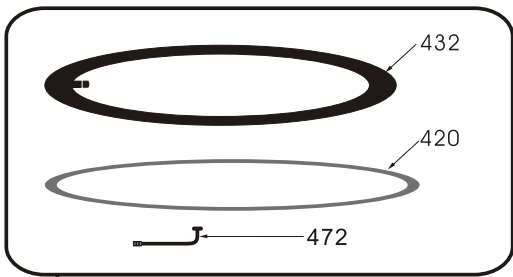
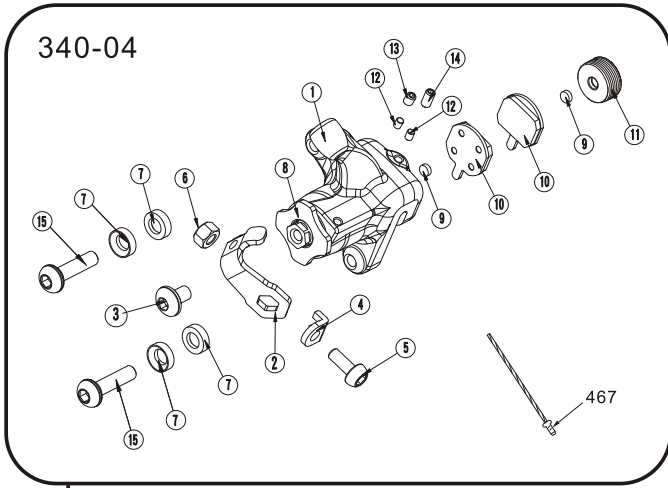
www.strida.com

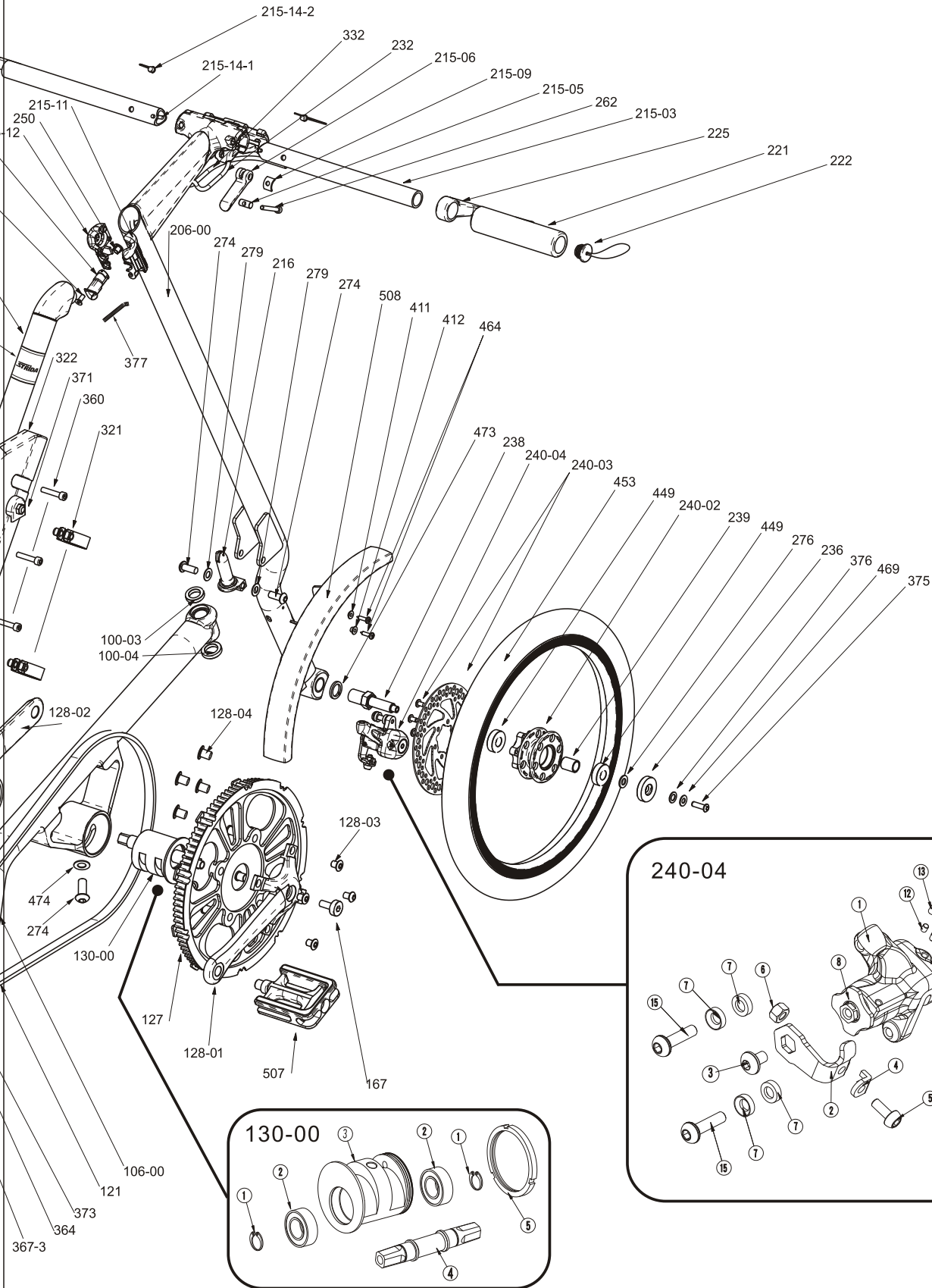




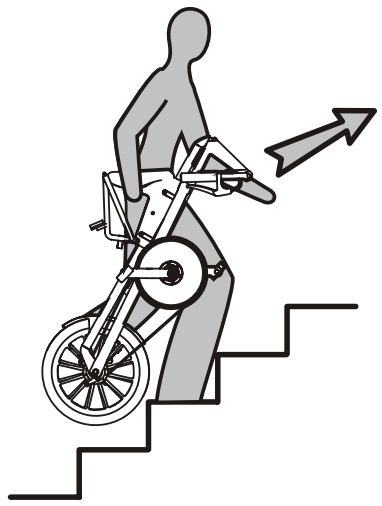
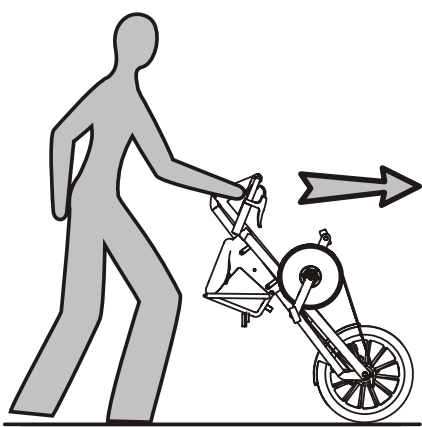
exploded drawing Mini

www.strida.com

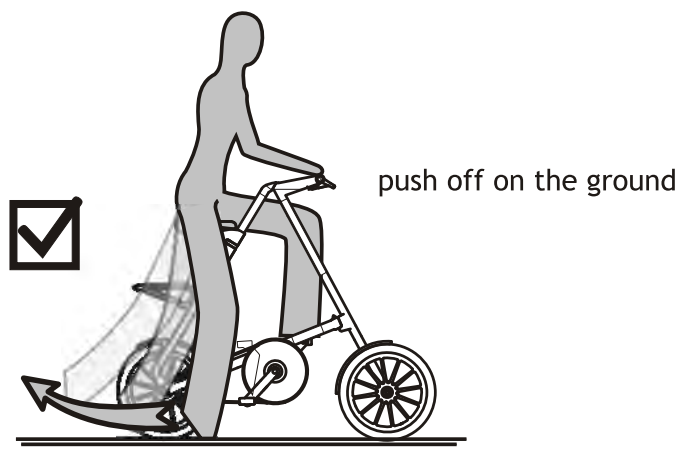




carrying



mounting



do not rolling mount



do not stand on pedals

www.strida.com



accessories

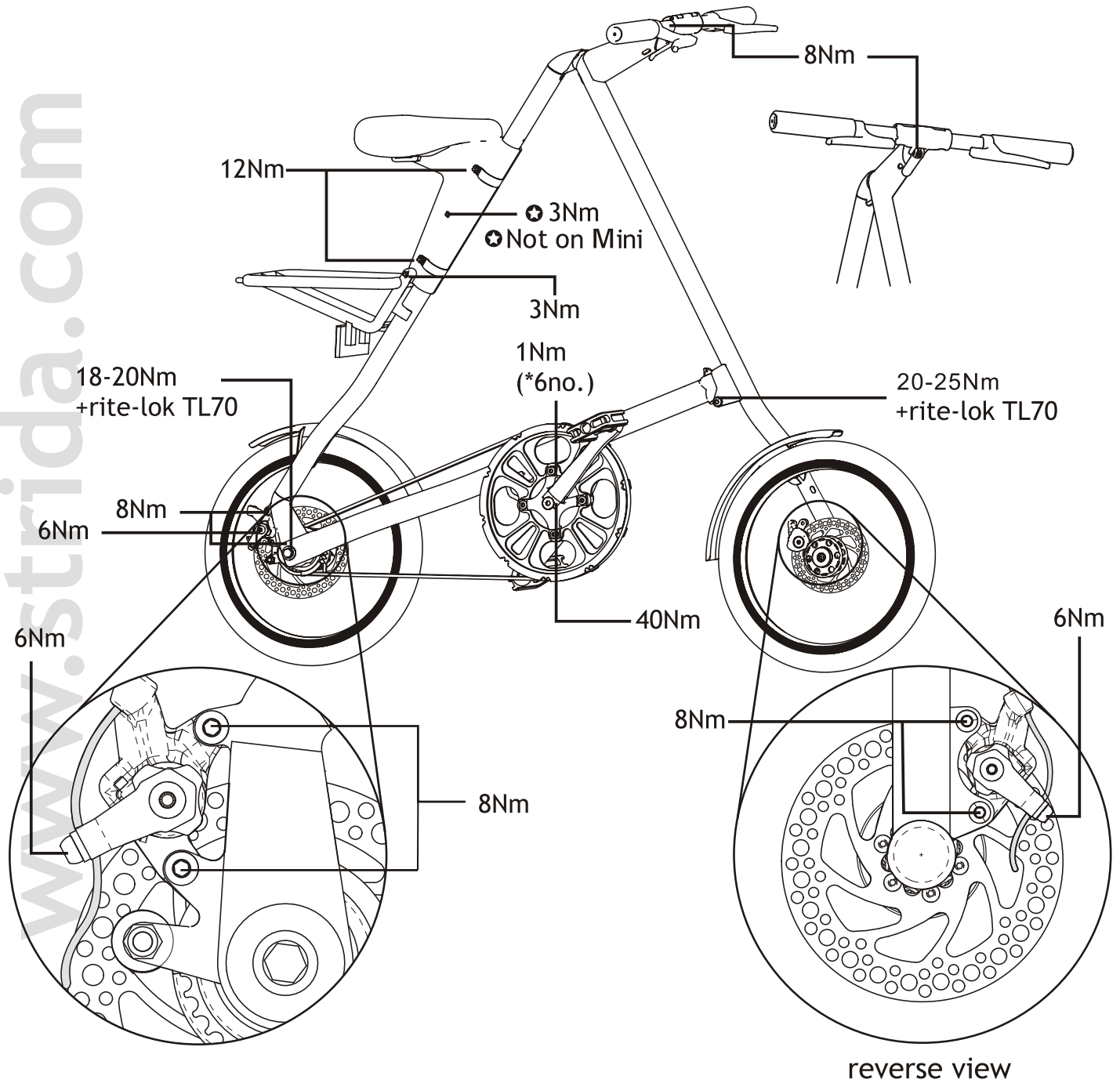
STRIDA



For more information, please check our website
www.strida.com

maintenance: bolts

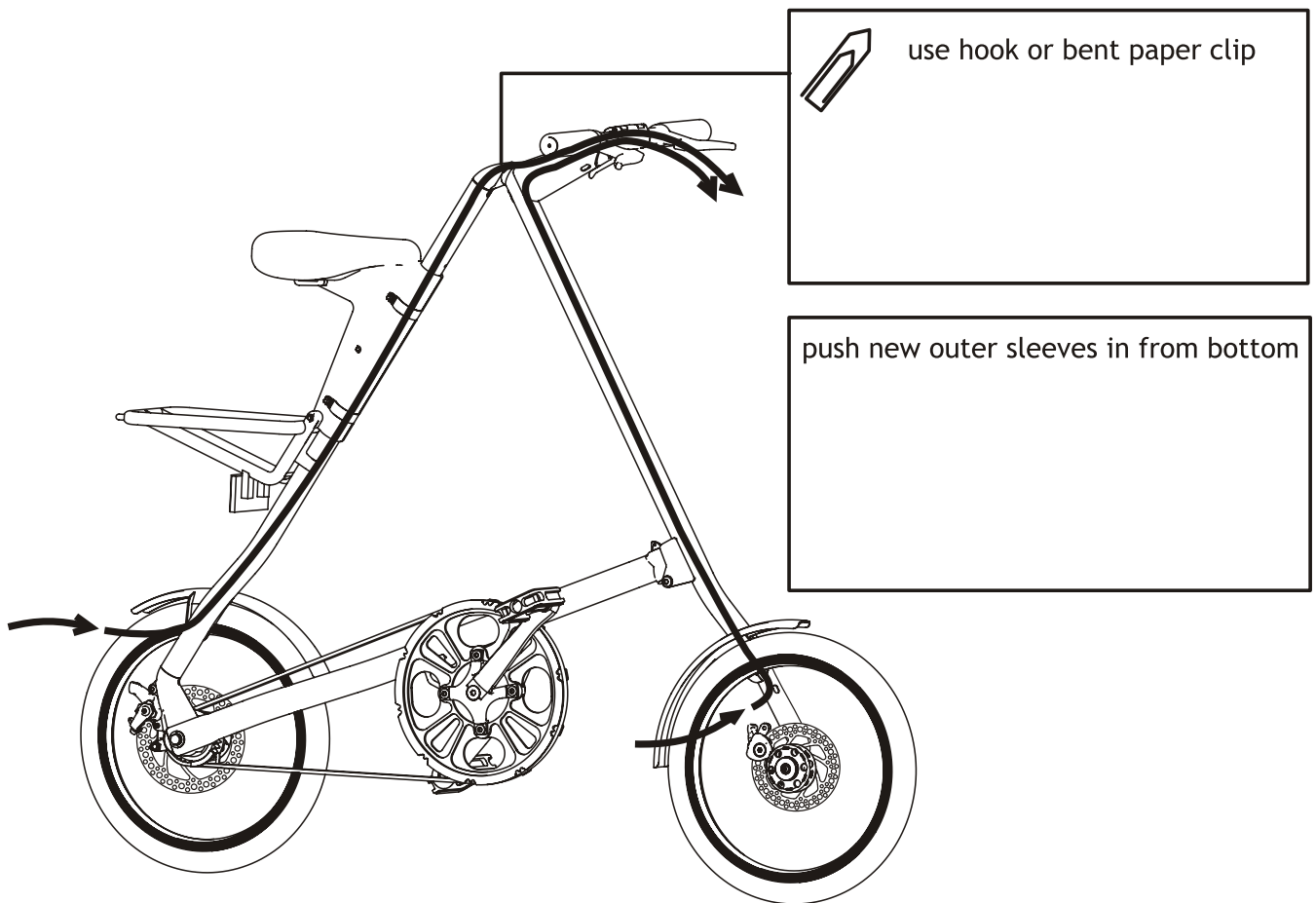
check these bolts before you riding



replacing brake cables

a easy: replace only inner wire

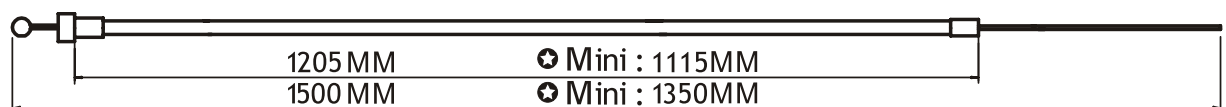
b complex: replace outer sleeve



front brake cable

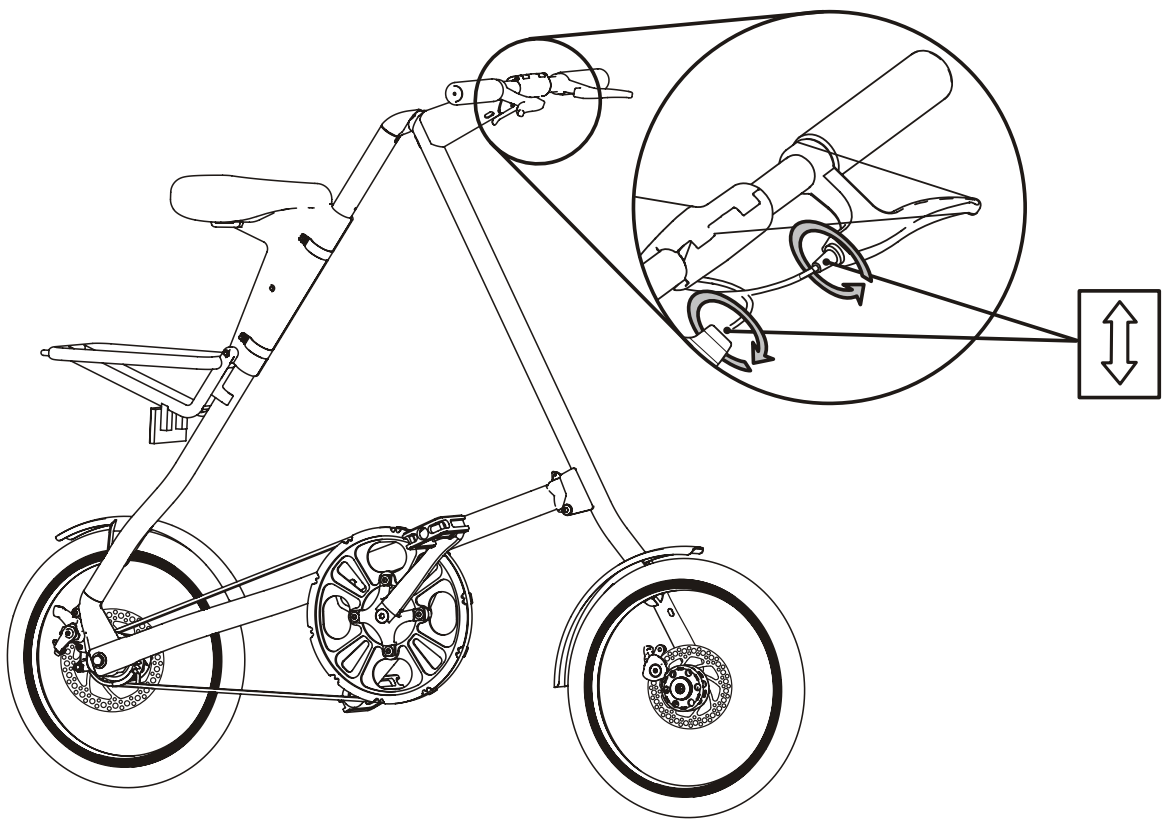
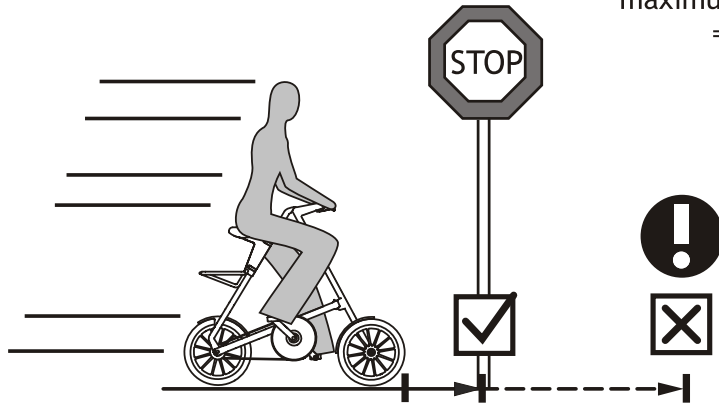


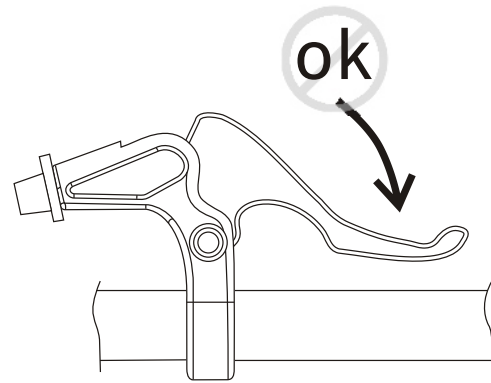
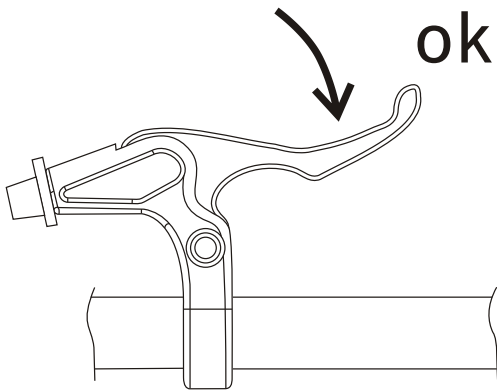
rear brake cable



adjusting brakes

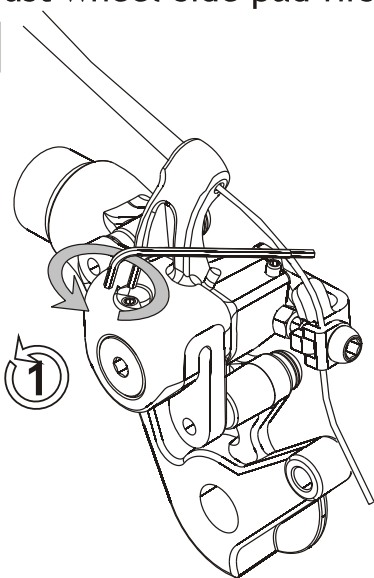
maximum stopping distance at 16kph
= 4.5 metres using either brake



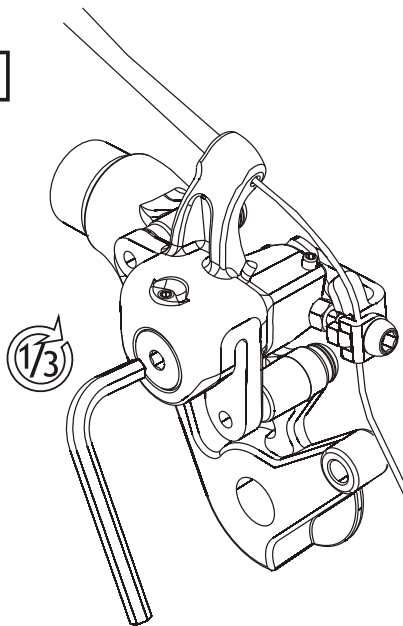


adjust wheel-side pad first

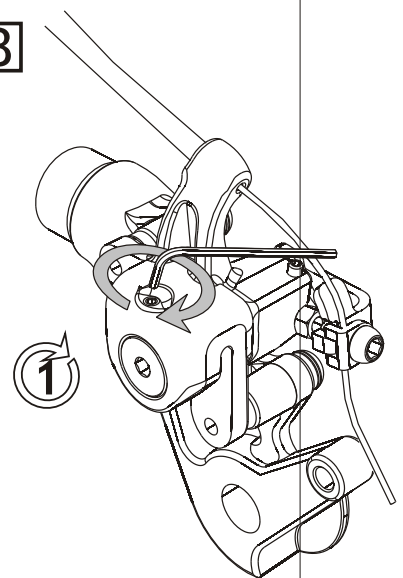
1



2

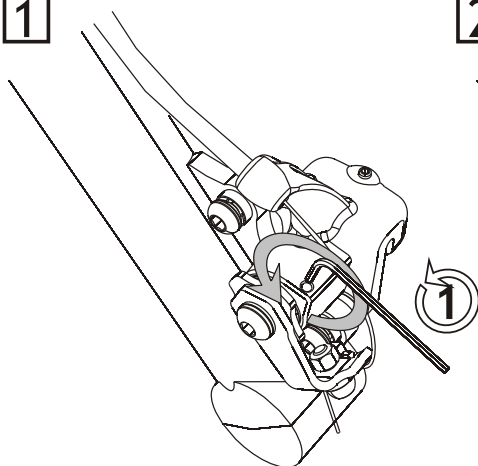


3

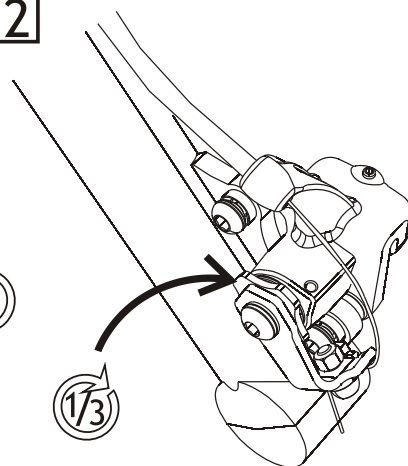


then adjust pad
opposite wheel next

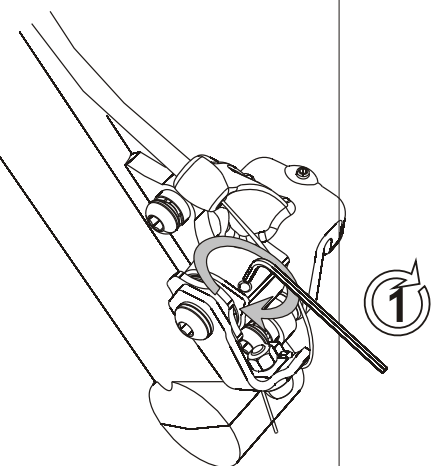
1



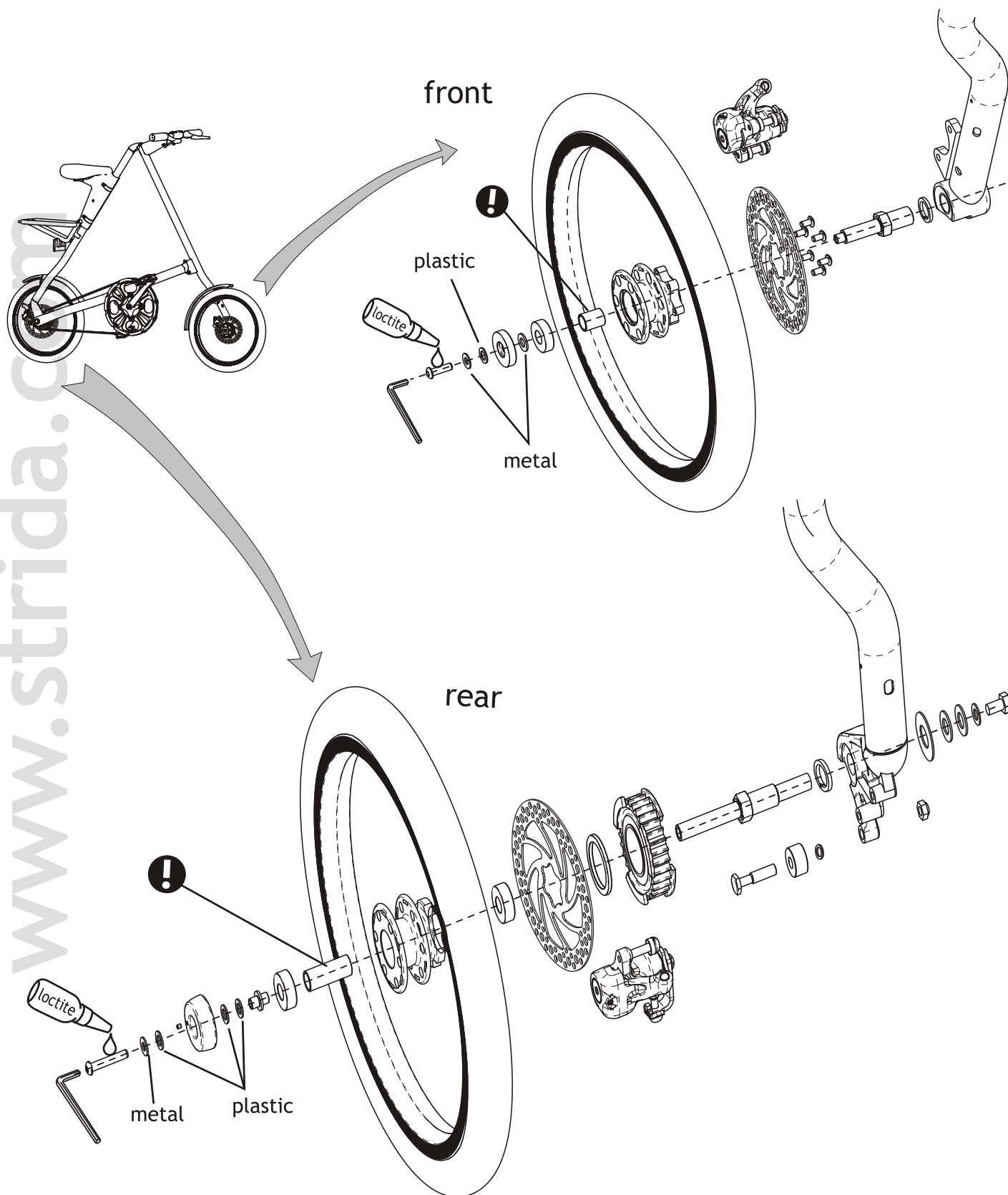
2



3

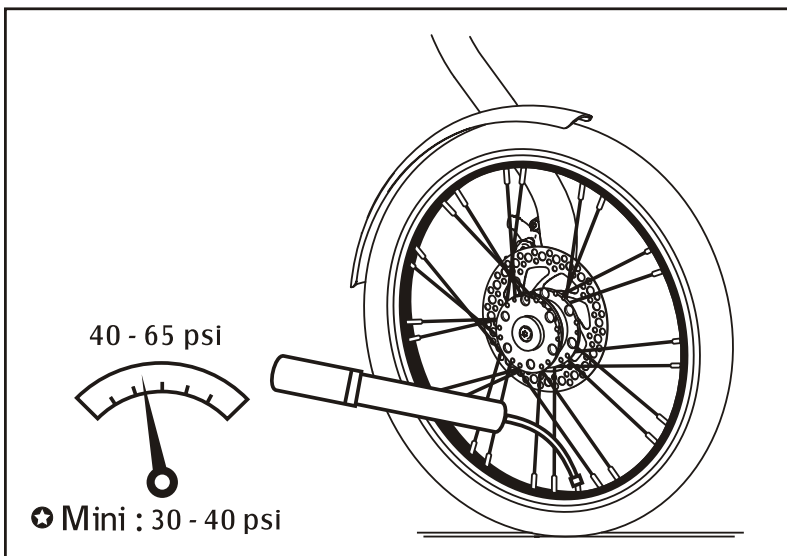
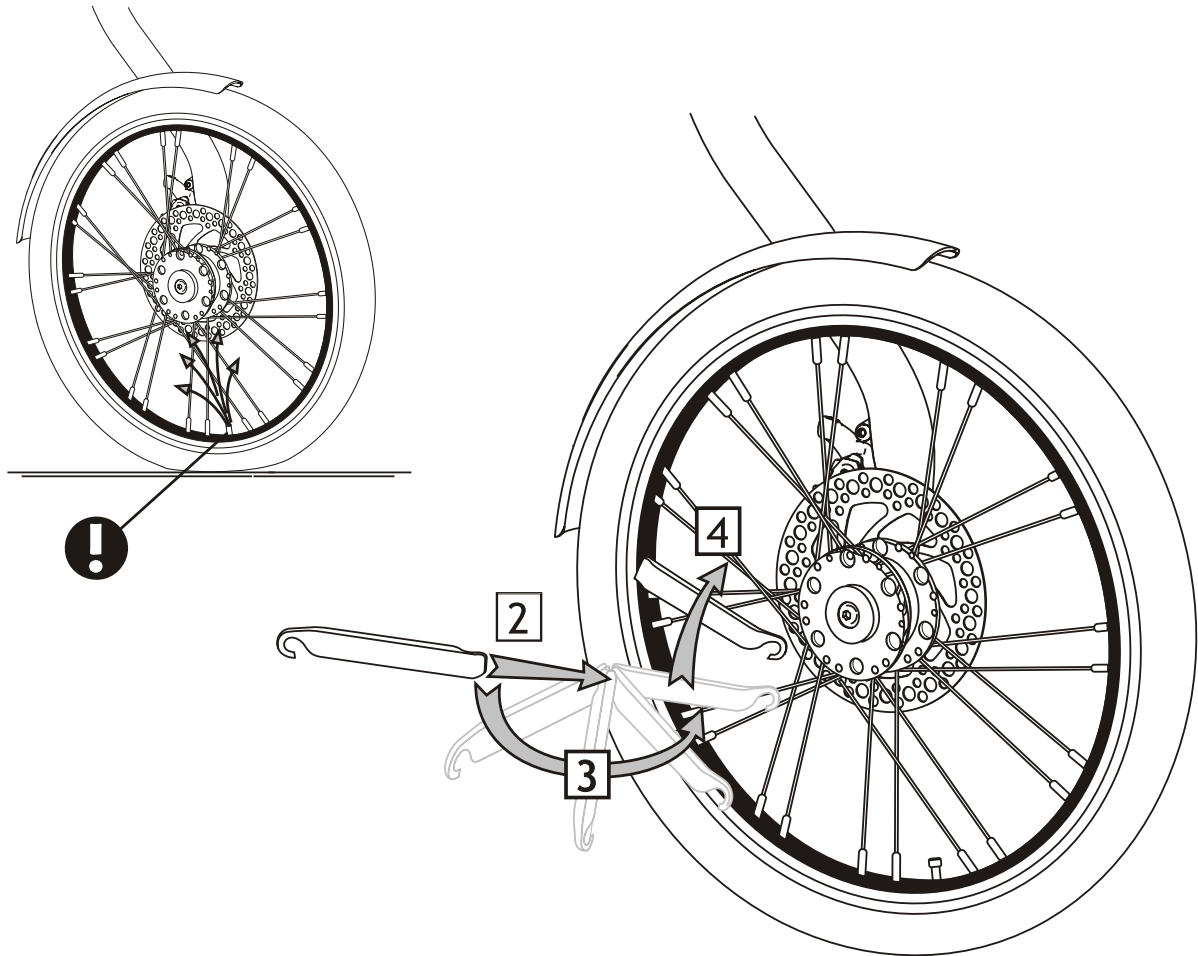


reassembling wheels



how to remove tires

1

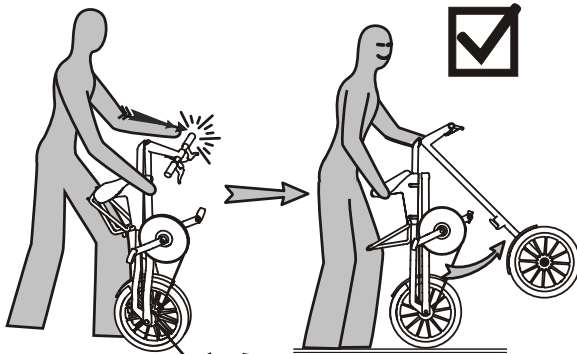
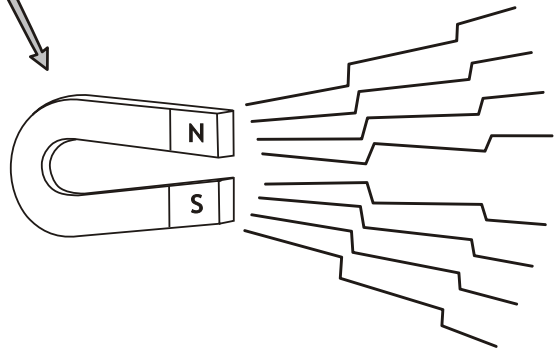
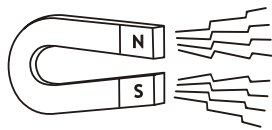
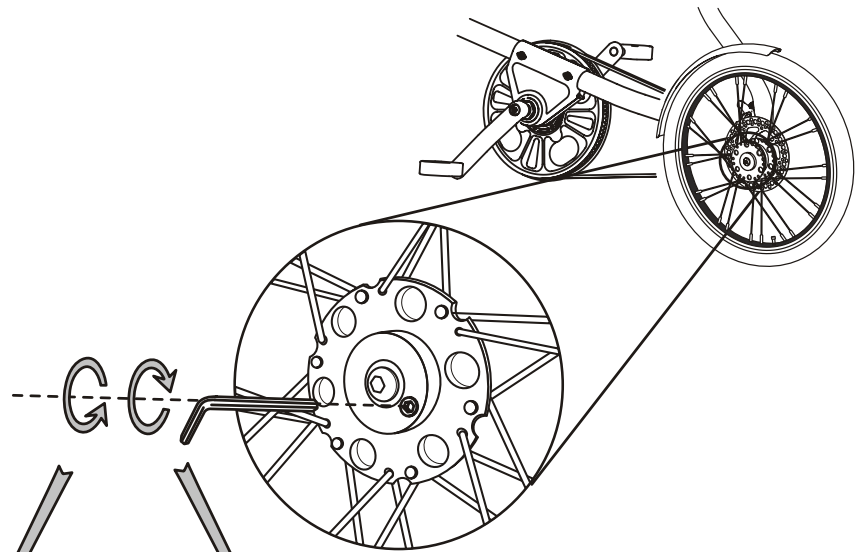
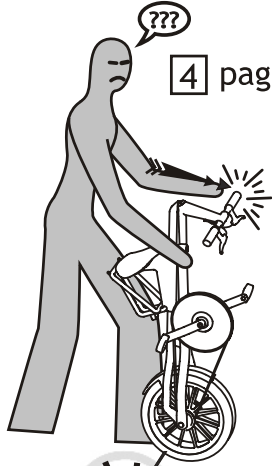


adjusting magnet strength

problem: magnetic wheel clip is too strong

???

4 page 5

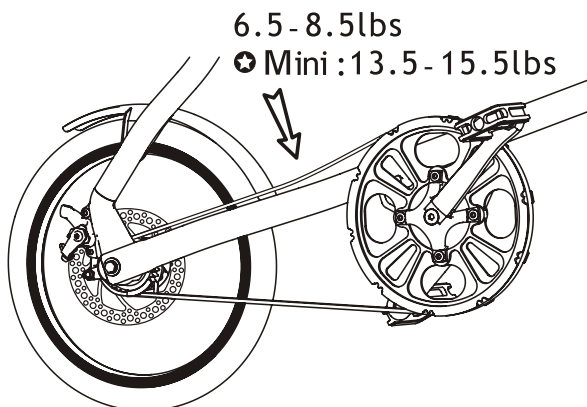
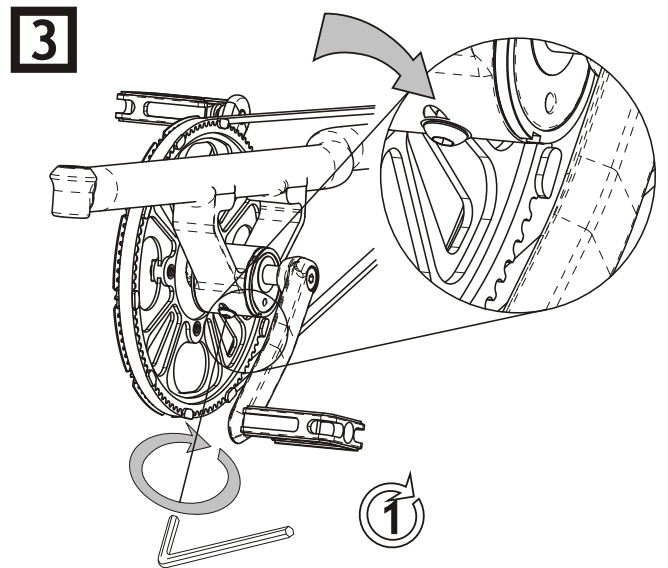
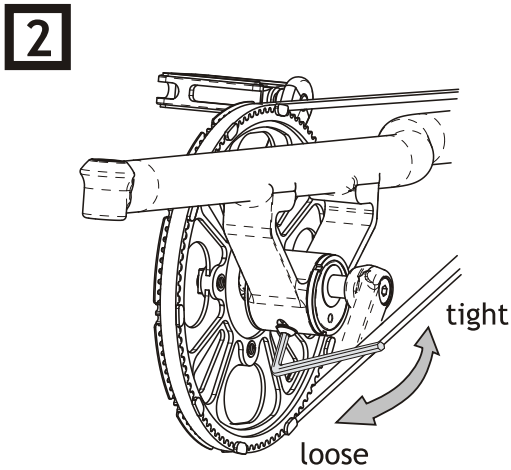
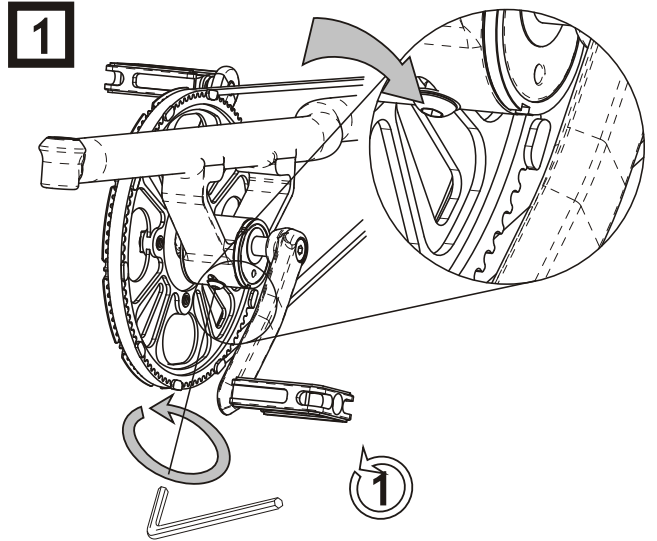
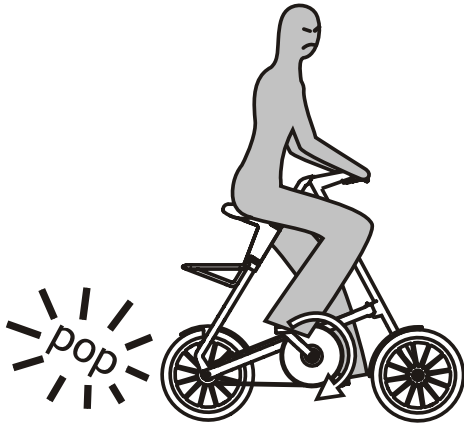


unclick

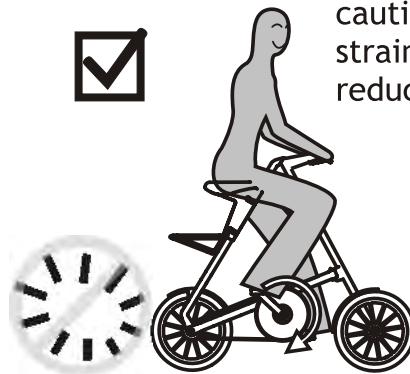


belt tension

belt slipping



caution: over tight belt strains bearings and reduces efficiency



limited warranty

Frame or Frameset Limited Warranty

Strida warrants that each new Strida bicycle frame or frameset when new is free from defects in materials and workmanship. This warranty is limited to the original owner of each new Strida bicycle for a period of five (5) years and is not transferrable. This warranty is void if the bicycle or frameset was not purchased new from an authorized Strida distributor. This warranty is also conditioned on the bicycle being operated under normal conditions and use and with proper maintenance. This warranty does not apply to paint, finish and component parts such as seats, seat posts, wheels, front forks, brakes, drive train and other similar components.

Component Limited Warranty

Strida warrants to the original owner that all original components on each new Strida bicycle are free from defects in materials and workmanship for a period of one (1) year from the date of purchase. This warranty applies only to original owners and is not transferrable. This warranty expires one year from the date of original purchase of a new Strida bicycle from an authorized Strida distributor and is conditioned on the bicycle being operated under normal conditions and use and with proper maintenance.

What is Not Covered Under this Limited Warranty

This Limited Warranty does not cover normal wear and tear, improper assembly or maintenance, or installation of post-purchase parts or accessories. This Limited Warranty does not apply to malfunctions or failures that result from abuse, neglect, improper assembly, improper maintenance, alteration, collision, crash, accident or misuse. Nor does this Limited Warranty apply if the original owner uses the bicycle in other than its intended and customary manner, e.g., in excess of the bicycles specifications, or use of the product in a manner inconsistent with the instruction manual. Modification or alteration of the frame or components shall void this warranty. Your local Strida distributor shall not be responsible for incidental or consequential damages. This Limited Warranty does not include the cost of travel or shipment to and from an authorized Strida distributor. All such costs are the responsibility of the original owner.

The Useful Life Cycle of this Product

This bicycle frameset has a useful product life cycle. The length of this life cycle will vary according to the care and maintenance given the bicycle, along with the nature of the materials and construction used in the frameset and how much the bicycle is used and the type of use that is made of the bicycle. Nonstandard use, such as off-road riding, event riding, heavy loads and similar types of nonstandard use can shorten the useful life cycle of the bicycle. ALL STRIDA BICYCLES AND FRAMESETS SHOULD BE PERIODICALLY CHECKED BY AN AUTHORIZED STRIDA DISTRIBUTOR for indications of stress and potential failure. These might include cracks, deformation, corrosion, paint peeling, dents, and other indicators of potential problems, inappropriate use, or abuse. These important safety checks are important in minimizing the possibility of injury to the user, damage to others and to property, and shortening the useful life cycle of the bicycle or frameset.

Warnings

Alteration or modification of the bicycle frame and components can affect the stability, control, structural integrity and safety of this product. This product is not suitable for every conceivable use. A road bike, for example is not suitable for off-road riding. Also, some bicycles and components are built to be lightweight, which means they may not be appropriate for riders who are approaching 220 pounds or 100 kilograms in weight. Riders approaching 220 pounds or 100 kilograms in weight should not ride this bicycle. Failure to follow these warnings may result in catastrophic failure of the component or bicycle, which may lead to serious personal injury or death.





Getting Service Under this Limited Warranty

This warranty is expressly limited to the repair or replacement of a defective frame or defective component. Should Strida determine that the frame or a component is covered by this Limited Warranty, Strida has the sole discretion to repair or replace the defective frame or component, at its option. A warranty registration form must be completed and received by Strida before a warranty claim will be processed. To process a warranty claim, you must present the bicycle or frameset to an authorized Strida distributor, along with written proof of purchase, such as a bill of sale or receipt showing the date of purchase, and which also identifies the Strida bicycle or frameset by serial number. Only a Strida authorized distributor is permitted to perform warranty service. The original owner is responsible for paying for all labor under this Limited Warranty. If an item is replaced under this Limited Warranty, the replacement becomes the original owner's property, and the replaced item becomes Strida's property.

What Else?

THIS IS AN INTEGRATED AND FINAL STATEMENT OF STRIDA'S LIMITED WARRANTY. STRIDA DOES NOT AUTHORIZE OR ALLOW ANYONE, INCLUDING ITS AUTHORIZED DISTRIBUTORS, TO EXTEND ANY OTHER WARRANTIES, EXPRESS OR IMPLIED, FOR STRIDA. NO OTHER REPRESENTATION, AND NO STATEMENT OF ANYONE BUT STRIDA, INCLUDING A DEMONSTRATION OF ANY KIND BY ANYONE, SHALL CREATE ANY WARRANTY REGARDING THIS BICYCLE OR FRAMESET. ALL OF THE REMEDIES AVAILABLE TO THE ORIGINAL OWNER ARE STATED HEREIN. IT IS AGREED THAT STRIDA'S LIABILITY UNDER THIS LIMITED WARRANTY SHALL BE NO GREATER THAN THE AMOUNT OF THE ORIGINAL PURCHASE PRICE AND IN NO EVENT SHALL STRIDA BE LIABLE FOR INCIDENTAL OR CONSEQUENTIAL DAMAGES.

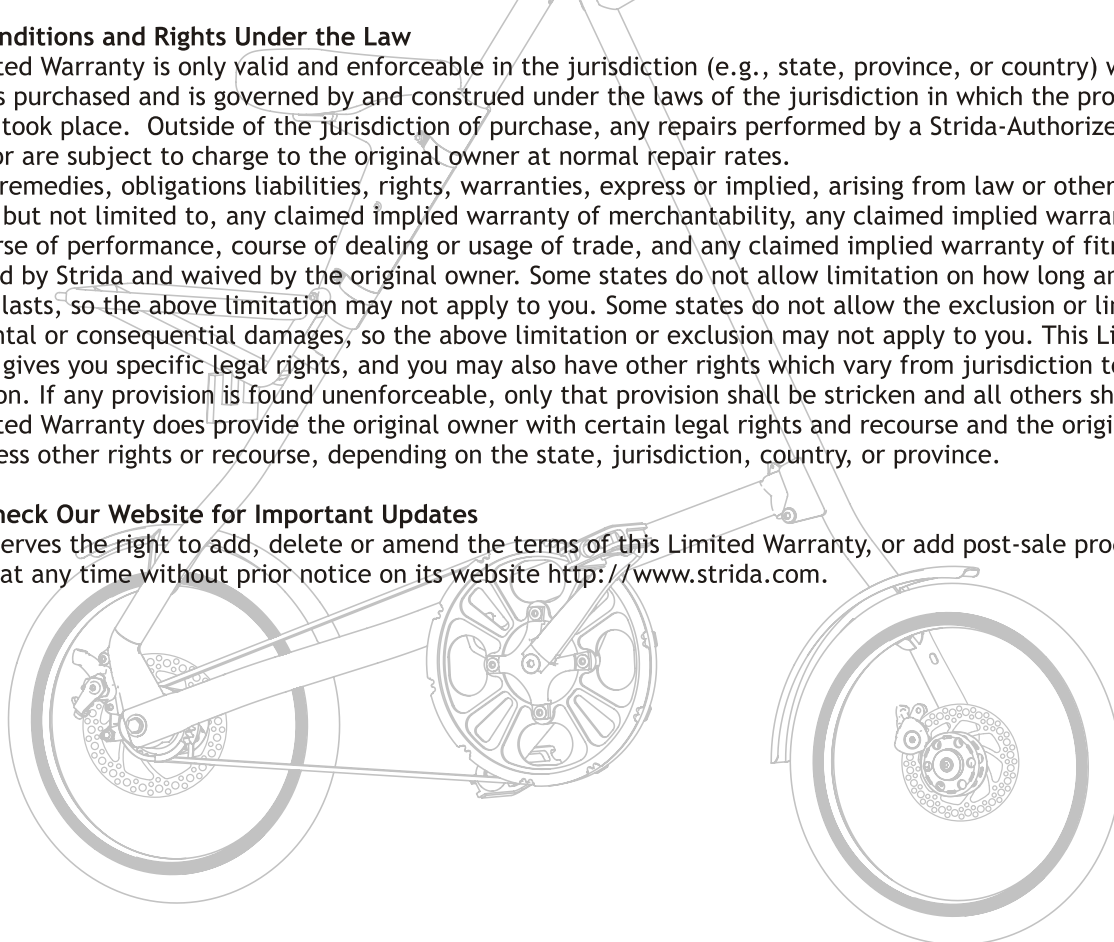
Other Conditions and Rights Under the Law

This Limited Warranty is only valid and enforceable in the jurisdiction (e.g., state, province, or country) where the product is purchased and is governed by and construed under the laws of the jurisdiction in which the product purchase took place. Outside of the jurisdiction of purchase, any repairs performed by a Strida-Authorized Distributor are subject to charge to the original owner at normal repair rates.

All other remedies, obligations liabilities, rights, warranties, express or implied, arising from law or otherwise, including but not limited to, any claimed implied warranty of merchantability, any claimed implied warranty arising from course of performance, course of dealing or usage of trade, and any claimed implied warranty of fitness, are disclaimed by Strida and waived by the original owner. Some states do not allow limitation on how long an implied warranty lasts, so the above limitation may not apply to you. Some states do not allow the exclusion or limitation of incidental or consequential damages, so the above limitation or exclusion may not apply to you. This Limited Warranty gives you specific legal rights, and you may also have other rights which vary from jurisdiction to jurisdiction. If any provision is found unenforceable, only that provision shall be stricken and all others shall apply. This Limited Warranty does provide the original owner with certain legal rights and recourse and the original owner may possess other rights or recourse, depending on the state, jurisdiction, country, or province.

Please Check Our Website for Important Updates

Strida reserves the right to add, delete or amend the terms of this Limited Warranty, or add post-sale product warnings at any time without prior notice on its website <http://www.strida.com>.

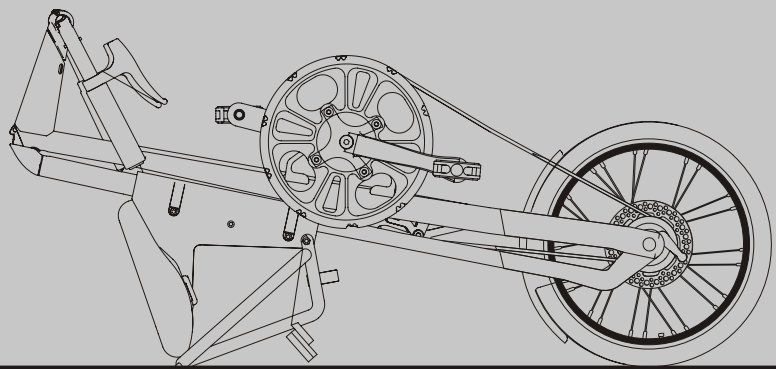


note

www.strida.com



STRIDA
a whole new way to move



distributor information

www.strida.com

part: 591-28 issue: 1©2008 strida ltd
2010 06